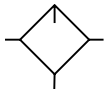
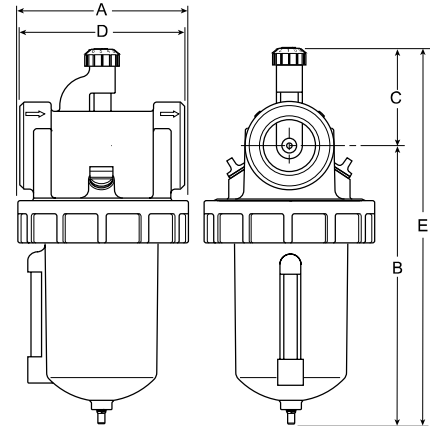
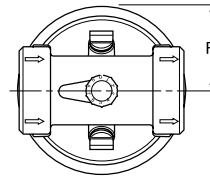


L606 Mist Lubricators – Standard



Features

- Metal bowl with sight gauge - standard
- Polycarbonate sight dome
- Bowl can be filled while air line is under pressure
- Proportional oil delivery over a wide range of air flows
- Large capacity bowl
- Optional high capacity bowl(s) available
- Precision needle valve assures repeatable oil delivery and provides simple adjustment of delivery rate
- Automatic fill optional (requires external pressurized oil supply)
- High flow: 1-1/4" – 325 SCFM§
 1-1/2" – 400 SCFM§



Port Size	NPT
	No Drain
Metal Bowl / Sight Gauge	
1-1/4"	L606-10W
1-1/2"	L606-12W
Metal Bowl 32 oz. without Sight Gauge	
1-1/4"	L606-10E
1-1/2"	L606-12E
Metal Bowl 64 oz. with Sight Gauge	
1-1/4"	L606-10G
1-1/2"	L606-12G

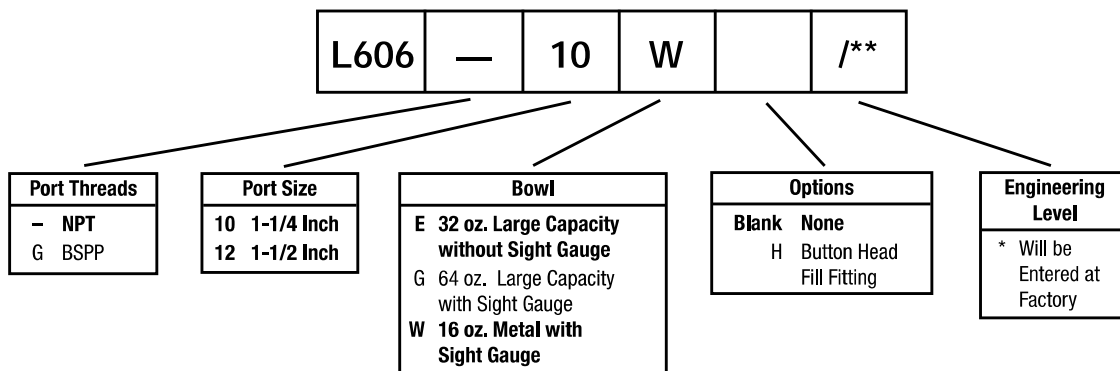
L606-10W12W & L606-10E12E

L606 Lubricator Dimensions					
A	B	C	D	E	F
L606-10W, L606-12W					
4.97 (126)	7.63 (194)	2.84 (72)	4.81 (122)	10.47 (266)	2.48 (63)
L606-10E, L606-12E					
4.97 (126)	11.13 (283)	2.84 (72)	4.81 (122)	13.97 (355)	2.48 (63)
L606-10G, L606-12G					
5.00 (127)	7.99 (203)	2.84 (72)	4.81 (122)	12.80 (325)	2.50 (64)

§ SCFM = Standard cubic feet per minute at 90 PSIG inlet and 5 PSIG pressure drop.

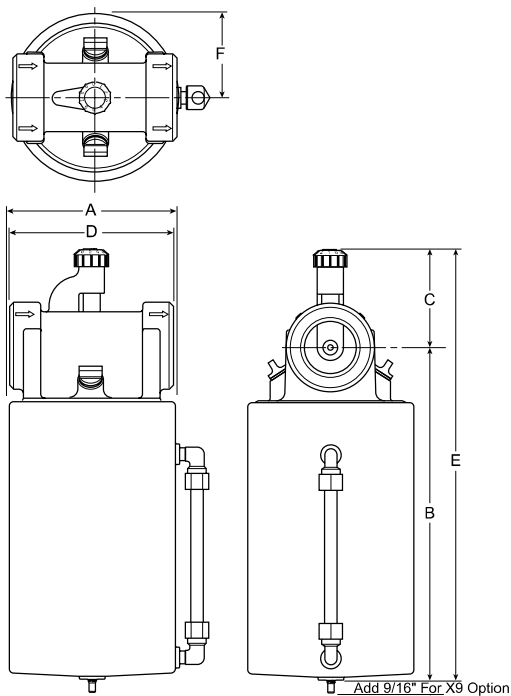
inches (mm)

Ordering Information

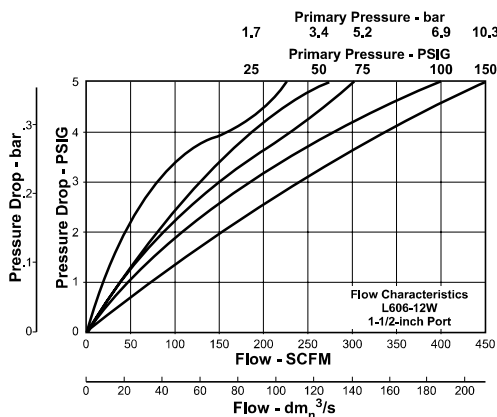
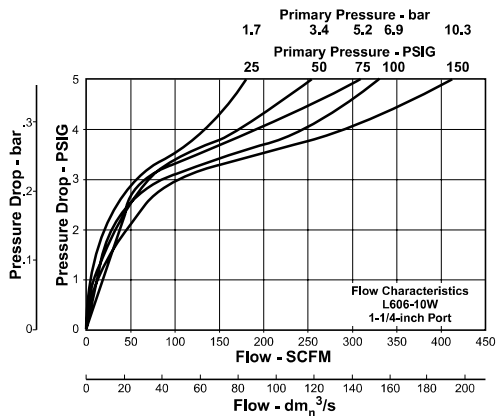


BOLD ITEMS ARE MOST POPULAR.

Technical Information



L606-12G



L606 Lubricator Kits & Accessories

- Adjusting Knob606Y72
- Bowl Kits –**
 - Aluminum (E)BK603B
 - Aluminum with Sight Gauge (G)BK606X30B
 - Zinc with Sight Gauge (W)BK609WB
- Button Head Fill Fitting (M14 male thread)L606C14
- Dip Tube KitDTK606
- Drip Spout KitRK606SY
- Oil –**
 - 1 Gal.F442002
 - 12 Quart CaseF442003
 - 4 Gallon CaseF442005
- Repair Kits –** Needle Valve Assembly (All)RK606Y
- Sight Gauge Repair Kit (W)RKB605WB
- Sight Gauge Repair Kit (G)RKB606X30B
- Fill Plug ReplacementSAP04113

Specifications

- Bowl Capacity –**
 - Aluminum (E)32 Ounces
 - Aluminum with Polycarbonate Sight Gauge (G)64 Ounces
 - Zinc with Nylon Sight Gauge (W)16 Ounces
- Port Threads** 1-1/4, 1-1/2 Inch
- Pressure & Temperature Ratings –**
 - Aluminum Bowl (E) 0 to 300 PSIG (0 to 20.4 bar)
 40°F to 150°F (4.4°C to 65.6°C)
 - Aluminum Bowl with
 Polycarbonate Sight Gauge (G) 0 to 150 PSIG (0 to 10.2 bar)
 40°F to 125°F (4.4°C to 52°C)
 - Zinc Bowl with
 Nylon Sight Gauge (W) 0 to 250 PSIG (0 to 17.2 bar)
 40°F to 150°F (4.4°C to 65.6°C)

Suggested Lubricant F442 Oil

Petroleum based oil of 100 to 200 SSU viscosity at 100°F and an aniline point greater than 200°F.

(DO NOT USE OILS WITH ADDITIVES, COMPOUNDED OILS CONTAINING SOLVENTS, GRAPHITE, DETERGENTS, OR SYNTHETIC OILS.)

Weight –

- Aluminum Bowl (E) 8.3 lb. (3.76 kg) / Unit
 33.2 lb. (15.06 kg) / 4-Unit Master Pack
- Aluminum Bowl with
 Polycarbonate Sight Gauge (G) 10 lb. (4.54 kg) / Unit
 40 lb. (18.14 kg) / 4-Unit Master Pack
- Zinc Bowl with
 Nylon Sight Gauge (W) 7.5 lb. (3.40 kg) / Unit
 28.2 lb. (12.79 kg) / 4-Unit Master Pack

Materials of Construction

- Body**Zinc
- Bowls –** (E) Aluminum
 (G) Aluminum with Polycarbonate Sight Gauge
 (W) Zinc with Nylon Sight Gauge
- Seals** BUNA N

